



Aerial Work Platforms

AWP® Super Series™

Specifications

Models	AWP-20S		AWP-25S		AWP-30S	
Measurements	US	Metric	US	Metric	US	Metric
Working height*	26 ft 1 in	8.10 m	30 ft 10 in	9.4 m	35 ft 6 in	10.8 m
Platform height	20 ft 1 in	6.12 m	24 ft 11 in	7.60 m	29 ft 6 in	9.00 m
A Height - stowed (Standard)	6 ft 6 in	1.98 m	6 ft 6 in	1.98 m	6 ft 6 in	1.98 m
stowed (RT/Narrow)	6 ft 7 in	2.01 m	6 ft 7 in	2.01 m	6 ft 7 in	2.01 m
B tilted back** (Standard)	_____	_____	_____	_____	_____	_____
C Length - stowed (Standard)	4 ft 1 in	1.24 m	4 ft 3.5 in	1.31 m	4 ft 5 in	1.35 m
stowed (RT/ Narrow)	5 ft 3 in	1.60 m	5 ft 3 in	1.60 m	5 ft 3 in	1.60 m
D Length - tilted back**	_____	_____	_____	_____	_____	_____
E Width (Standard)	2 ft 5 in	.74 m	2 ft 5 in	.74 m	2 ft 5 in	.74 m
Width (RT)	2 ft 6 in	.76 m	2 ft 6 in	.76 m	2 ft 6 in	.76 m
Width (Narrow)	1 ft 10 in	.56 m	1 ft 10 in	.56 m	1 ft 10 in	.56 m

Productivity

Lift capacity	350 lbs	159 kg	350 lbs	159 kg	350 lbs	159 kg
ANSI/CSA:						
F A Outrigger footprint (l/w) (Standard)	5 ft 1 in/4 ft 5 in	1.55/1.35 m	5 ft 1 in/4 ft 5 in	1.55/1.35 m	5 ft 9 in/5 ft 1 in	1.75/1.55 m
Outrigger footprint (l/w) (RT/Narrow)	5 ft 4 in/4 ft 2 in	1.63/1.27 m	5 ft 4 in/4 ft 2 in	1.63/1.27 m	6 ft/5 ft	1.83/1.52 m
A Corner access*** (Standard)	1 ft 3 in	.38 m	1 ft 2 in	.36 m	1 ft 7 in	.48 m
Corner access*** (RT/Narrow)	1 ft 2 in	.36 m	1 ft 1 in	.33 m	1 ft 7 in	.48 m
A A Wall access front/side (Standard)	6 in/1 ft 1 in	.15/.33 m	3 in/1 ft 1 in	.08/.33 m	5 in/1 ft 5 in	.13/.43 m
Wall access front/side (RT/Narrow)	9 in/1 ft	.23/.30 m	6 in/1 ft	.15/.30 m	7 in/1 ft 5 in	.18/.43 m
CE/AUS/PB Indoor:						
F A Outrigger footprint (l/w) (Standard)	5 ft 1 in/4 ft 5 in	1.55/1.35 m	5 ft 9 in/5 ft 1 in	1.75/1.55 m	6 ft 4 in/5 ft 8 in	1.93/1.73 m
Outrigger footprint (l/w) (RT/Narrow)	5 ft 11 in/4 ft 10 in	1.80/1.47 m	5 ft 11 in/4 ft 10 in	1.80/1.47 m	6 ft 11 in/6 ft 2 in	2.11/1.88 m
A Corner access*** (Standard)	1 ft 3 in	.38 m	1 ft 7 in	.48 m	1 ft 10 in	.56 m
Corner access*** (RT/Narrow)	1 ft 9 in	.53 m	1 ft 8 in	.51 m	2 ft 3.5 in	.70 m
A A Wall access front/side (Standard)	6 in/1 ft 1 in	.15/.33 m	7 in/1 ft 5 in	.18/.43 m	8 in/1 ft 9 in	.20/.53 m
Wall access front/side (RT/Narrow)	1 ft/1 ft 5 in	.30/.43 m	10 in/1 ft 5 in	.25/.43 m	9 in/1 ft 8 in	.23/.51 m
CE/AUS/PB Outdoor:						
F A Outrigger footprint (l/w) (Standard)	8 ft 1 in/7 ft 5 in	2.46/2.26 m	9 ft 9 in/9 ft 2 in	2.97/2.79 m	9 ft 9 in/9 ft 2 in	2.97/2.79 m
Outrigger footprint (l/w) (RT/Narrow)	9 ft 4 in/9 ft 4 in	2.84/2.84 m	9 ft 4 in/9 ft 4 in	2.84/2.84 m	10 ft 10 in/11 ft 4 in	3.30/3.45 m
A Corner access*** (Standard)	1 ft 7 in	.48 m	2 ft 6 in	.76 m	2 ft 3 in	.69 m
Corner access*** (RT/Narrow)	4 ft 6 in	1.37 m	4 ft 4 in	1.32 m	5 ft 1 in	1.55 m
A A Wall access front/side (Standard)	1 ft 7 in/2 ft 8 in	.48/.81 m	2 ft 5 in/3 ft 6 in	.74/1.07 m	2 ft 3 in/3 ft 6 in	.69/1.07 m
Wall access front/side (RT/Narrow)	2 ft 8 in/3 ft 8 in	.81/1.12m	2 ft 5 in/3 ft 8 in	.74/1.12 m	2 ft 11 in/4 ft 7 in	.89/1.40 m
Platform Dimensions: (l/w/h)						
Standard	27/26/44.75 in	.69/.66/1.14 m	27/26/44.75 in	.69/.66/1.14 m	27/26/44.75 in	.69/.66/1.14 m
Gated standard	27/26/44.75 in	.69/.66/1.14 m	27/26/44.75 in	.69/.66/1.14 m	27/26/44.75 in	.69/.66/1.14 m
Gated narrow	26/20/44.75 in	.66/.51/1.14 m	26/20/44.75 in	.66/.51/1.14 m	26/20/44.75 in	.66/.51/1.14 m
Gated ultra-narrow	22/18/44.75 in	.56/.46/1.14 m	22/18/44.75 in	.56/.46/1.14 m	22/18/44.75 in	.56/.46/1.14 m
Standard fiberglass	29/26.5/43.5 in	.74/.67/1.10 m	29/26.5/43.5 in	.74/.67/1.10 m	29/26.5/43.5 in	.74/.67/1.10 m

Power

Power source - DC models	12V DC 110/50-60 Hz or 220/50-60 Hz AC	12V DC 110/50-60 Hz or 220/50-60 Hz AC	12V DC 110/50-60 Hz or 220/50-60 Hz AC
--------------------------	--	--	--

Weight

AC models (Standard)	677 lbs	307 kg	727 lbs	330 kg	777 lbs	352 kg
AC models (RT/Narrow)	660 lbs	299 kg	694 lbs	315 kg	729 lbs	330 kg
DC models (Standard)	766 lbs	348 kg	817 lbs	371 kg	867 lbs	393 kg
DC models (RT/Narrow)	749 lbs	339 kg	780 lbs	355 kg	818 lbs	370 kg
Air motor (Standard)	_____	_____	_____	_____	777 lbs	352 kg
Air motor (RT/Narrow)	_____	_____	_____	_____	729 lbs	331 kg

Standards Compliance

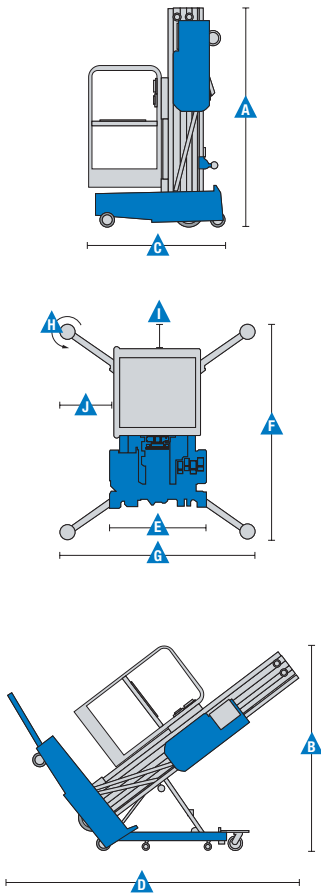
ANSI A92.3, CSA B354.1, EN 280, AS 1418.10

www.genielift.com

Aerial Work Platforms

AWP® Super Series™

Specifications



Models	AWP-40S	
Measurements	US	Metric
Working height*	46 ft 4 in	14.1 m
Platform height	40 ft 4 in	12.29 m
A Height - stowed (Standard)	9 ft 1.5 in	2.78 m
stowed (RT)	_____	_____
B tilted back** (Standard)	6 ft 6 in	1.98 m
C Length - stowed (Standard)	4 ft 8 in	1.42 m
stowed (RT)	_____	_____
D Length - tilted back**	9 ft 9 in	2.97 m
E Width (Standard)	2 ft 5 in	.74 m
Width (RT)	_____	_____
Width (Narrow)	_____	_____

Productivity

Lift capacity	300 lbs	136 kg
ANSI/CSA:		
F G Outrigger footprint (l/w) (Standard)	7 ft 5 in/6 ft 9 in	2.26/2.06 m
Outrigger footprint (l/w) (RT)	_____	_____
H Corner access*** (Standard)	2 ft 7 in	.79 m
Corner access*** (RT)	_____	_____
I J Wall access front/side (Standard)	1 ft 3 in/2 ft 4 in	.38/.71 m
Wall access front/side (RT)	_____	_____
CE/AUS/PB Indoor:		
F G Outrigger footprint (l/w) (Standard)	7 ft 5 in /6 ft 9 in	2.26/2.06 m
Outrigger footprint (l/w) (RT)	_____	_____
H Corner access*** (Standard)	2 ft 7 in	.79 m
Corner access*** (RT)	_____	_____
I J Wall access front/side (Standard)	1 ft 3 in/2 ft 4 in	.38/.71 m
Wall access front/side (RT)	_____	_____
CE/AUS/PB Outdoor:		
F G Outrigger footprint (l/w) (Standard)	12 ft 9 in/12 ft 1 in	3.89/3.68 m
Outrigger footprint (l/w) (RT)	_____	_____
H Corner access*** (Standard)	3 ft 8 in	1.12 m
Corner access*** (RT)	_____	_____
I J Wall access front/side (Standard)	3 ft 8 in/5 ft	1.12/1.52 m
Wall access front/side (RT)	_____	_____
Platform Dimensions: (l/w/h)		
Standard	27/26/44.75 in	.69/.66/1.14 m
Gated standard	27/26/44.75 in	.69/.66/1.14 m
Gated narrow	26/20/44.75 in	.66/.51/1.14 m
Gated ultra-narrow	22/18/44.75 in	.56/.46/1.14 m
Standard fiberglass	29/26.5/43.5 in	.74/.67/1.10 m

Power

Power source - DC models	12V DC 110/50-60 Hz or 220/50-60 Hz AC
--------------------------	--

Weight

AC models (Standard)	1,040 lbs	472 kg
AC models (RT)	_____	_____
DC models (Standard)	1,130 lbs	513 kg
DC models (RT)	_____	_____
Air motor (Standard)	_____	_____
Air motor (RT)	_____	_____

Standards Compliance

ANSI A92.3, CSA B354.1, EN 280, AS 1418.10

* The metric equivalent of working height adds 2 m to platform height. U.S. adds 6 ft to platform height.

** Tilt back height with standard platform. For tilt back height with other platforms, please contact your sales representative.

*** Corner of platform top rail to corner of wall with ability to rotate leveling jack handle.